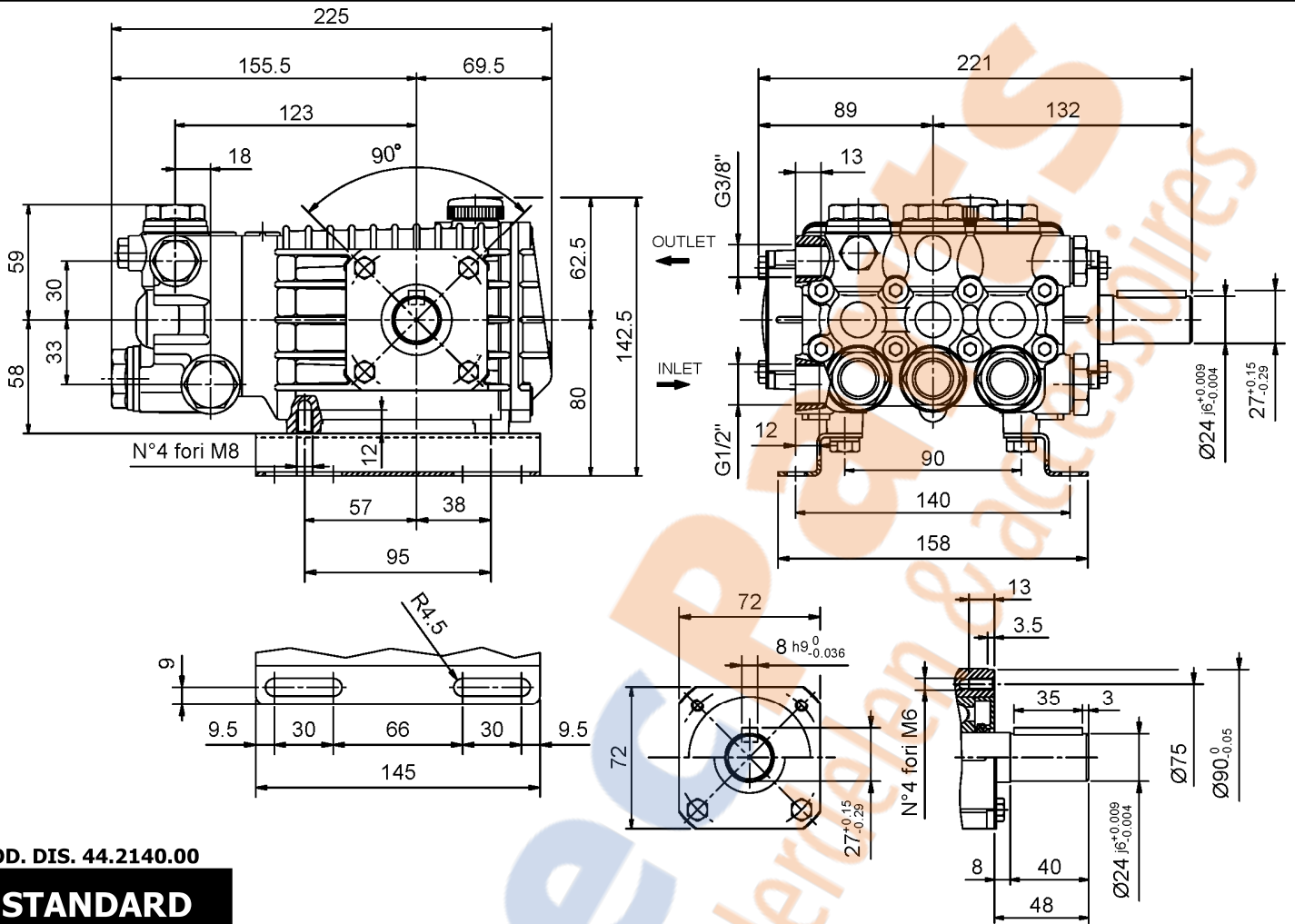
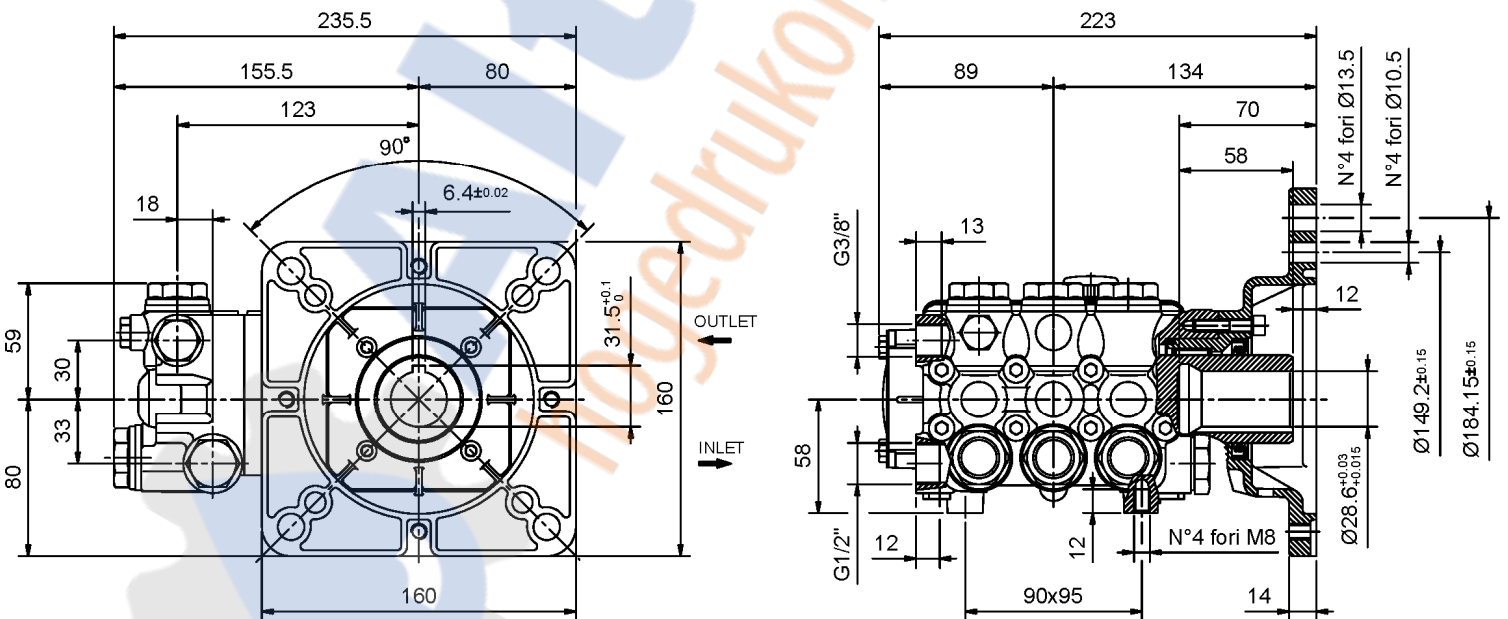


**DIMENSIONI D'INGOMBRO – OVERALL DIMENSIONS – DIMENSIONS D'ENCOMBREMENT  
RAUMBEDARF – DIMENSIONES TOTALES – DIMENSÕES**



**COD. DIS. 44.2140.00**

**STANDARD**



**COD. DIS. 44.2143.00**

**W950 – W951  
W952 – W953  
W954 – W955  
W956 – W957  
W958 – W959  
W14200 – W16180  
WW964 – WW965**

**A**